

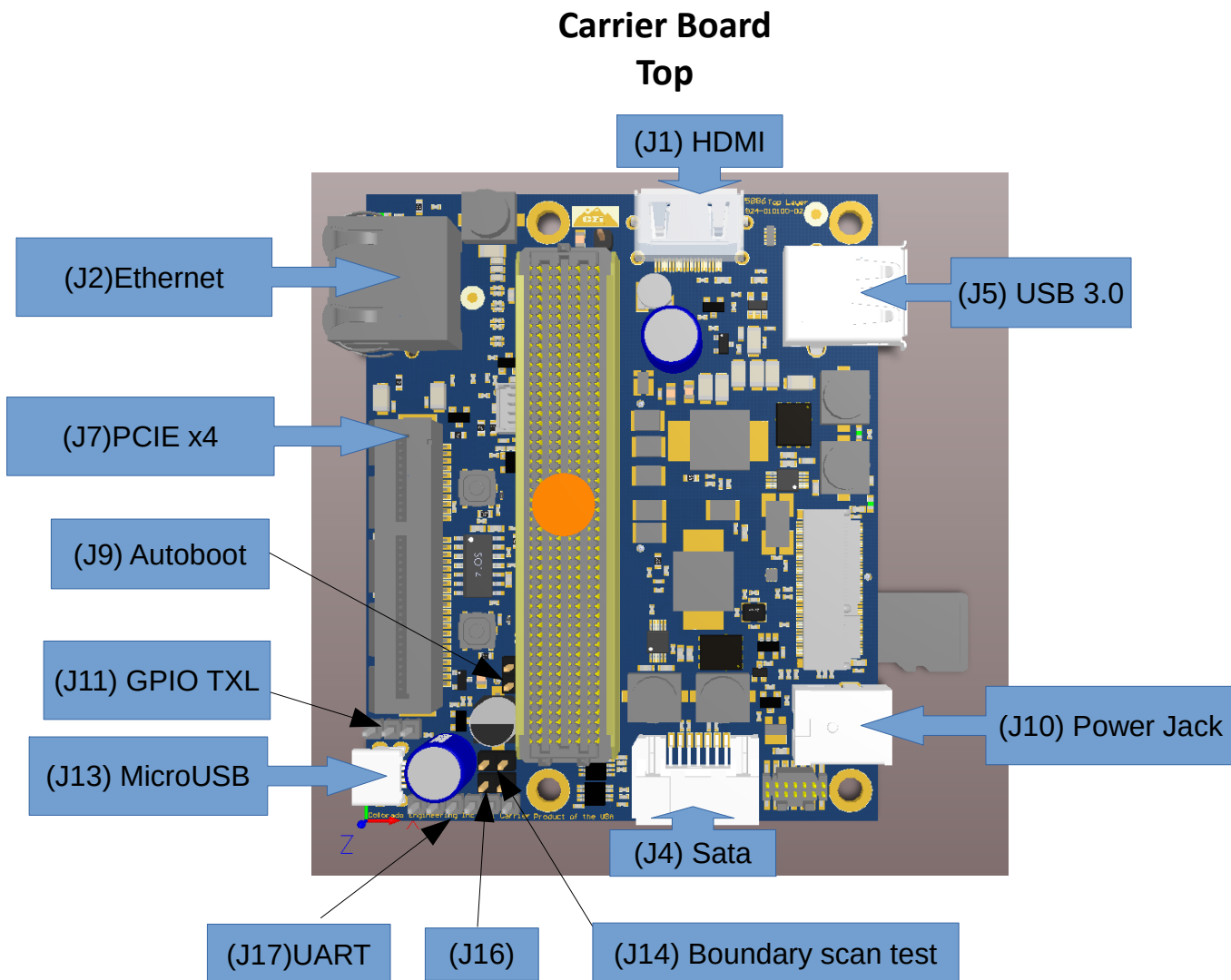


TX1-SOM (Carrier Board)

Reference Guide—Page 1

Software Instructions

The TX1-SOM comes pre-flashed with the basic Linux for Tegra (L4T) software, including the graphical desktop. Instructions for setting up the software environment and flashing the TX1-SOM board are also available for download. As new L4T distributions are released from NVIDIA, CEI will provide updated software patches as well. Packages such as CUDA and OpenCV4Tegra will need to be installed by the user. These packages can be found on the NVIDIA website: <https://developer.nvidia.com>



To log into the TX1-SOM: Username: ubuntu
Password: ubuntu

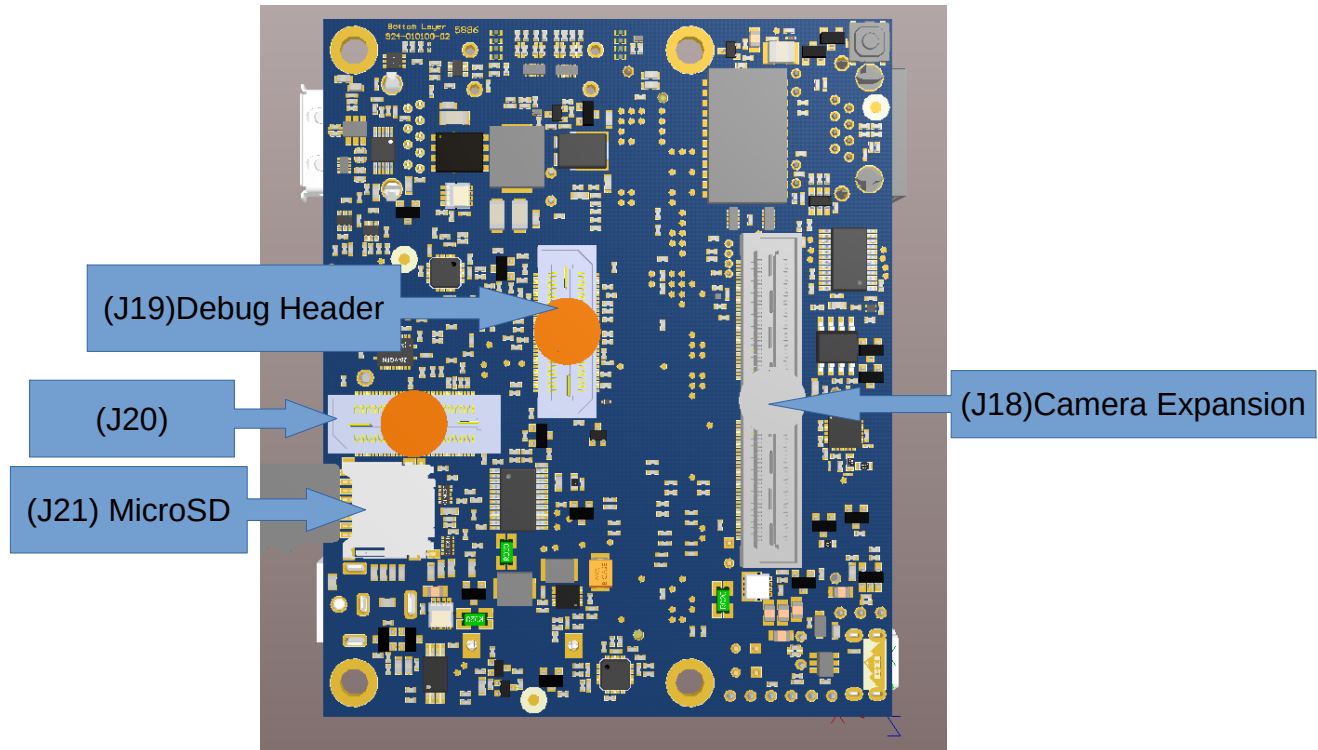
Questions?
tx1support@coloradoengineering.com



TX1-SOM (Carrier Board)

Reference Guide—Page 2

Carrier Board Bottom



Pinouts

J11Pin	Function
1	VDD_3V3_SYS
2	VDD_GPIO_TXL8
3	VDD_1V8

J9pin	Function
1	p2oj
2	POWER_BTN_R



TX1-SOM (Carrier Board)

Reference Guide—Page 3

Pinout Cont.

J14Pin	Function
1	RESET_OUT_L
2	GND

J16Pin	Function
1	D_FORCE_OFF_L
2	GND

J17 Pin	Function
1	GND
2	UART1_RTS_3V3_L
3	NC
4	UART1_RXD_3V3
5	UART1_TXD_3V3
6	UART1_CTS_3V3_L

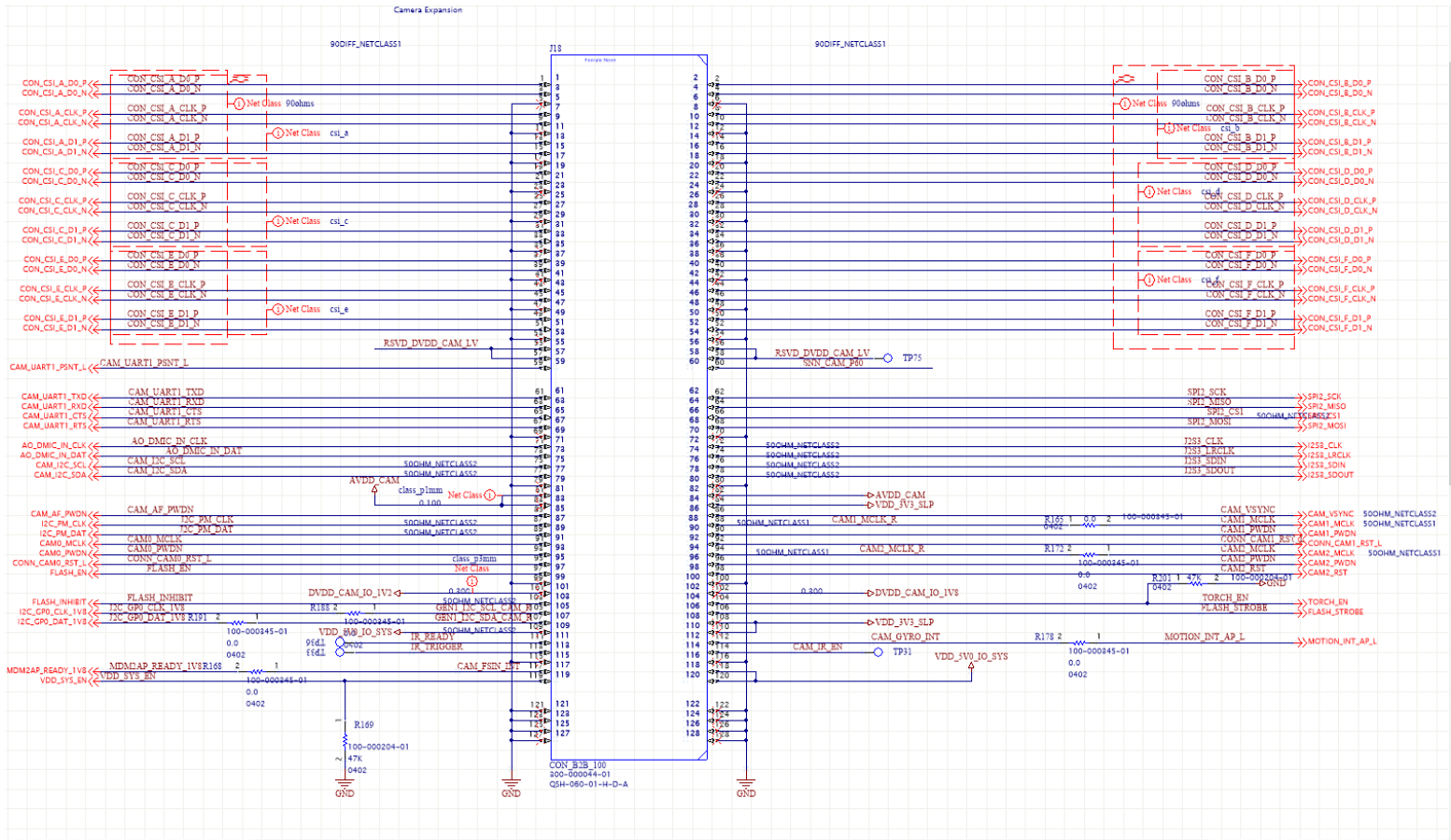


TX1-SOM (Carrier Board)

Reference Guide—Page 4

Pinout Cont.

J18



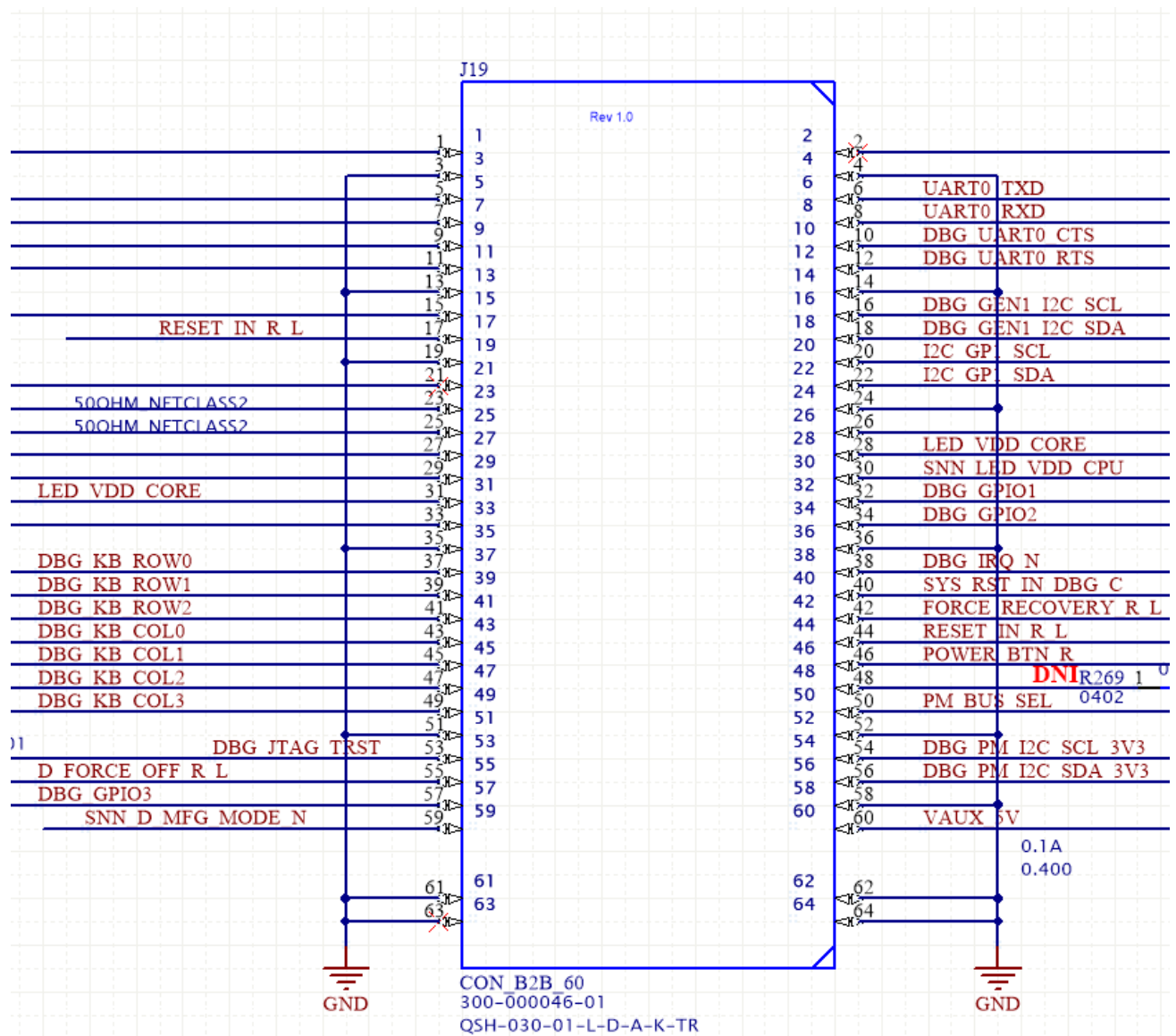


TX1-SOM (Carrier Board)

Reference Guide—Page 5

Pinout Cont.

J19





TX1-SOM (Carrier Board)

Reference Guide—Page 6

Pinout Cont.

J20

